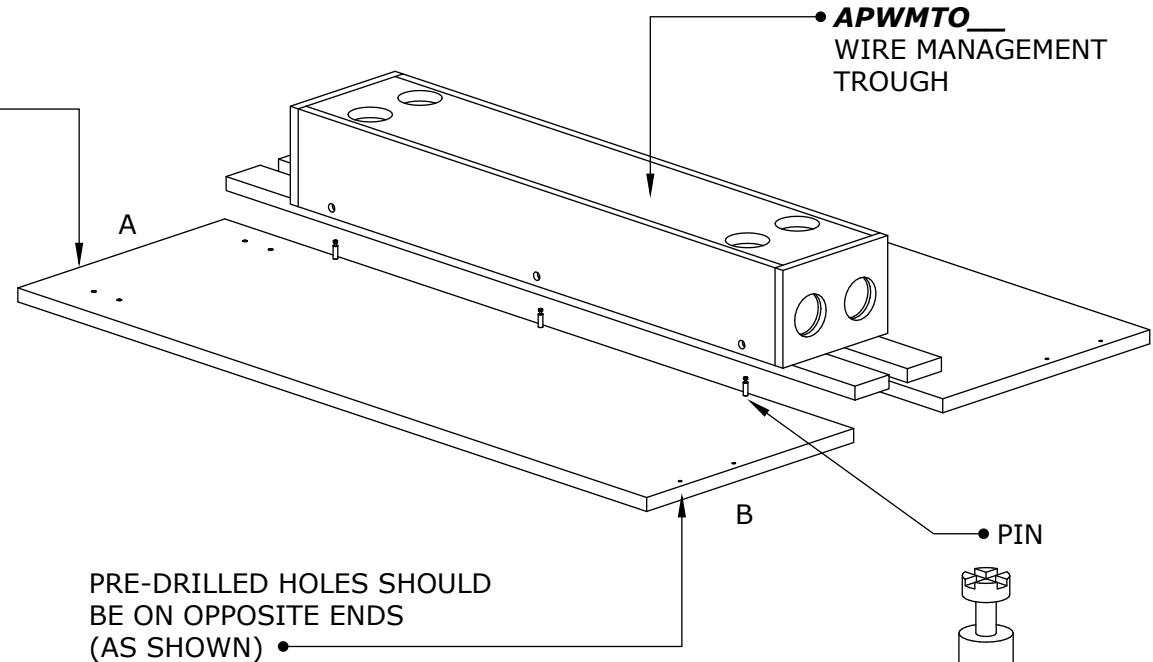


APEX INSTRUCTIONS

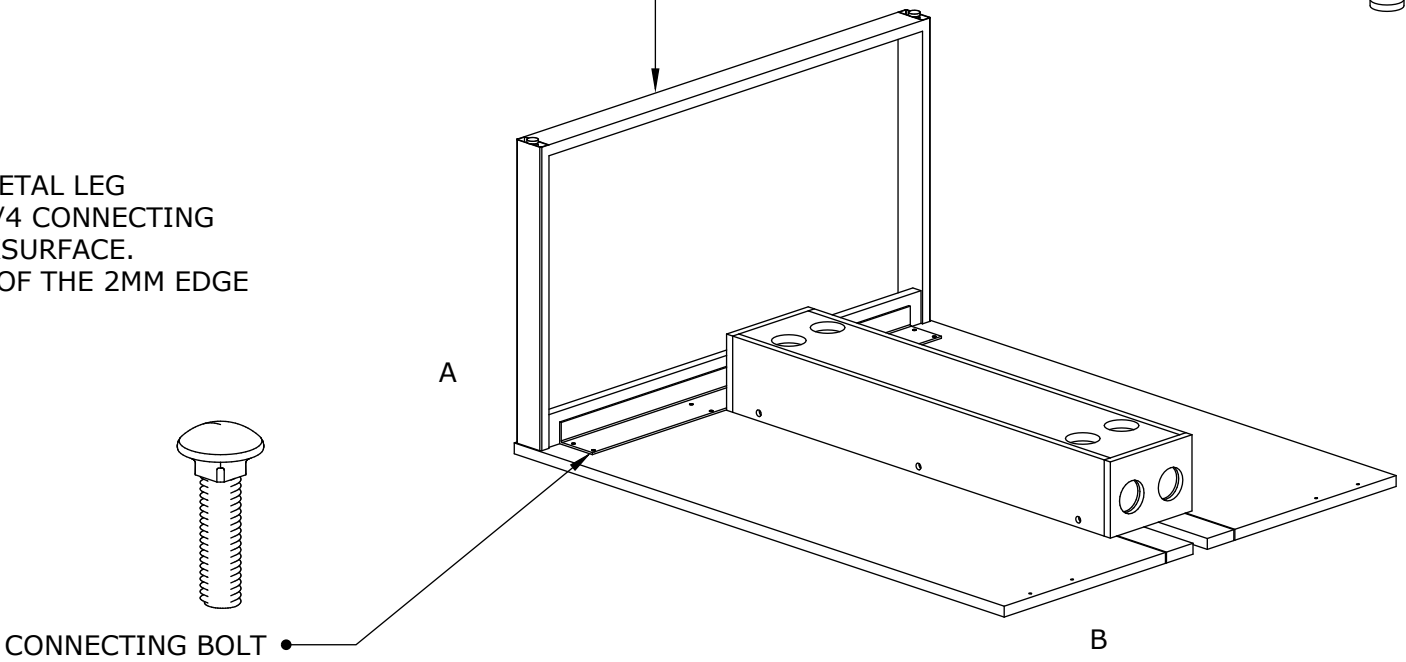
APRECH
SHARED WORKSURFACES

STEP 1: PLACE WORKSURFACES FACE DOWN ON FLOOR. (BE CAREFUL TO NOT SCRATCH WORKSURFACE. A BLANKET IS RECOMMENDED BE LAYED DOWN ON FLOOR BEFORE WORKSURFACES. PLACE WIRE MANAGEMENT TROUGH FACE DOWN BETWEEN WORKSURFACES. SECURE WIRE MANAGEMENT TROUGH WITH PINS & CAM LOCKS PROVIDED.

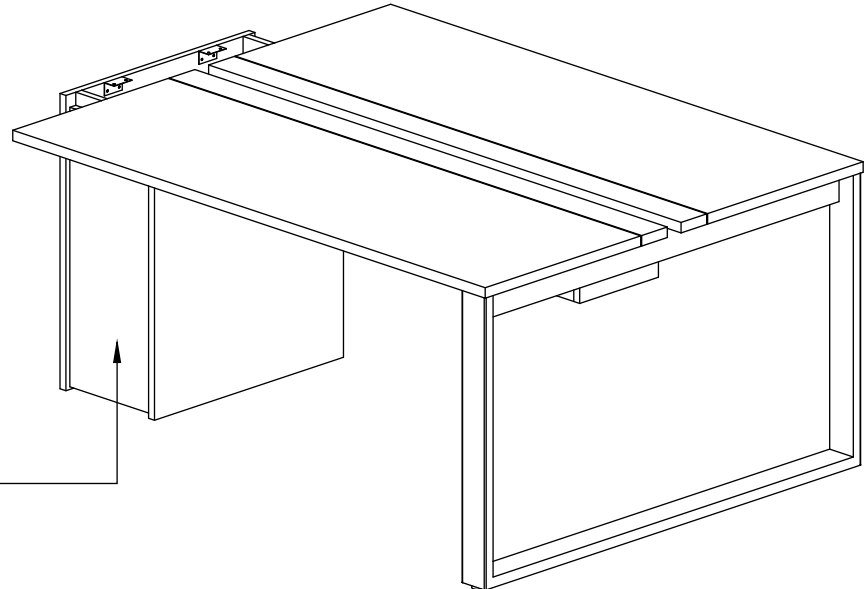


APODL
METAL LEG SUPPORT
(D-LEG SHOWN, DOUBLE POST LEG OPTION AVAILABLE)

STEP 2: ALIGN & ATTACH METAL LEG SUPPORT WITH 1/4-20 X 3/4 CONNECTING BOLTS PROVIDED TO WORKSURFACE. (METAL LEG WILL BE INSET OF THE 2MM EDGE BAND ON WORKSURFACE).

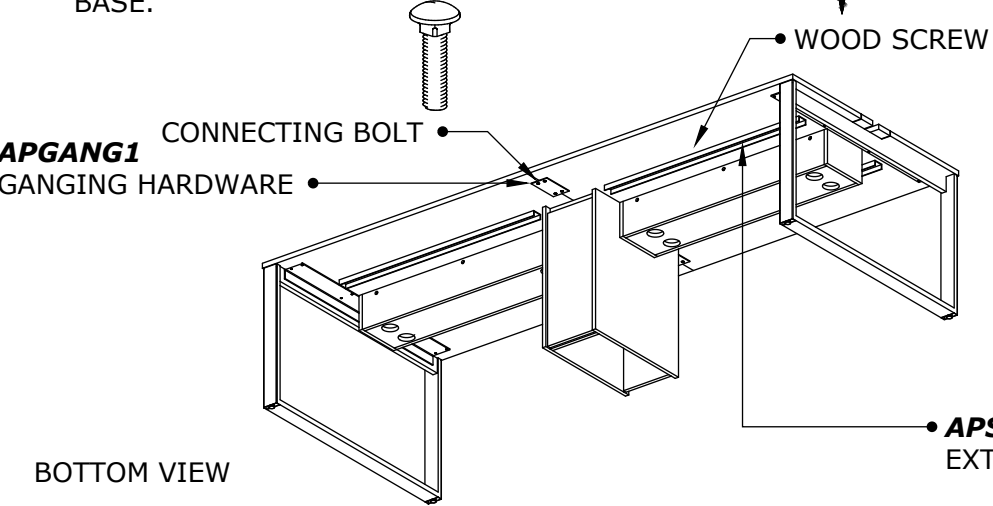
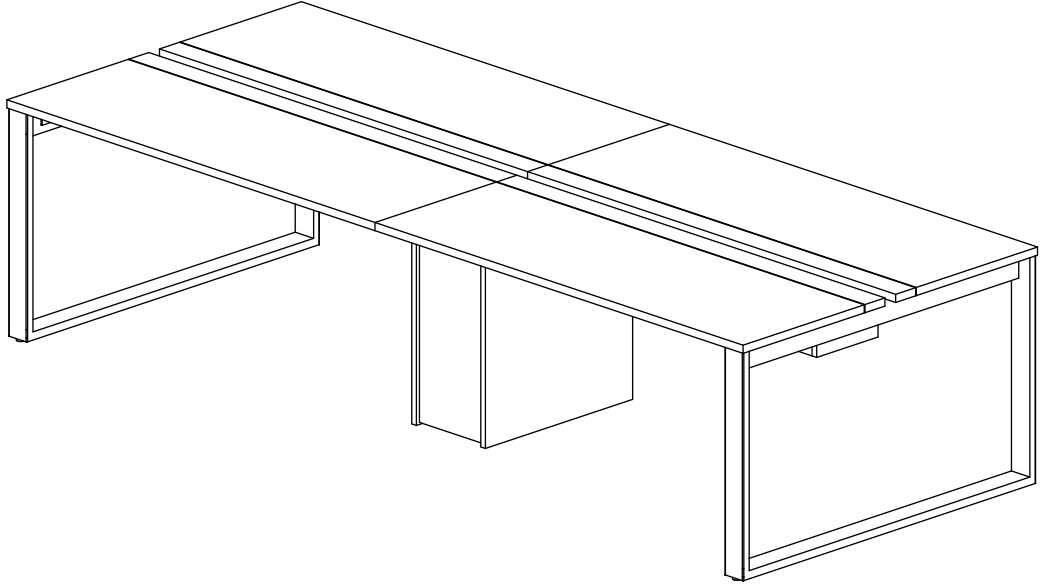


STEP 3: CAREFULLY FLIP WORKSURFACES OVER AND REST ON LAMINATE SUPPORT BASE. (DO NOT SECURE TO SQUARE PANEL HOLLOW BASE YET).



APLEGM12
SQUARE PANEL HOLLOW
BASE W/ END ACCESS DOOR

STEP 4: REPEAT STEPS 1-3 FOR THE SECOND HALF. ALIGN BOTH HALVES AND SECURE WITH GANGING HARDWARE & "L" BRACKETS LOCATED IN LAMINATE BASE. INSTALL EXTERNAL STABILIZER BARS ALIGNED WITH FRONT EDGE OF LAMINATE BASE.



APGANG1
GANGING HARDWARE

CONNECTING BOLT

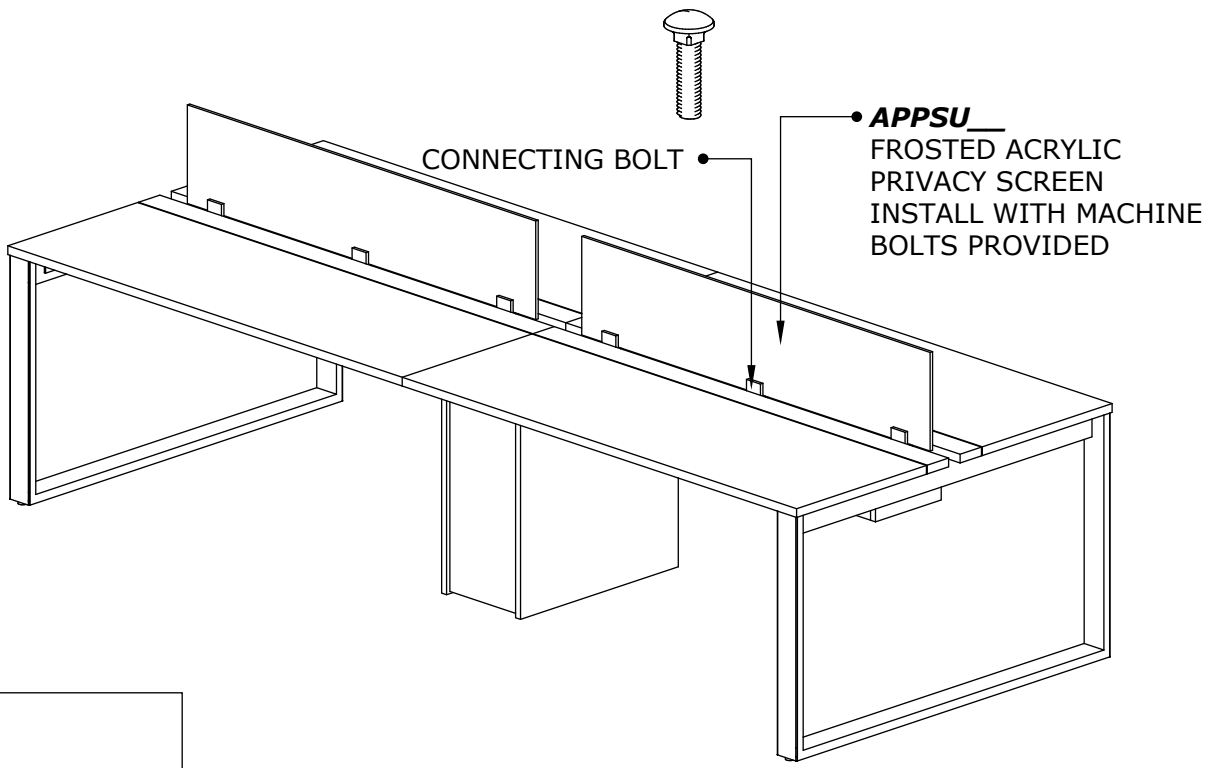
WOOD SCREW

APSB
EXTERNAL STABILIZER BAR

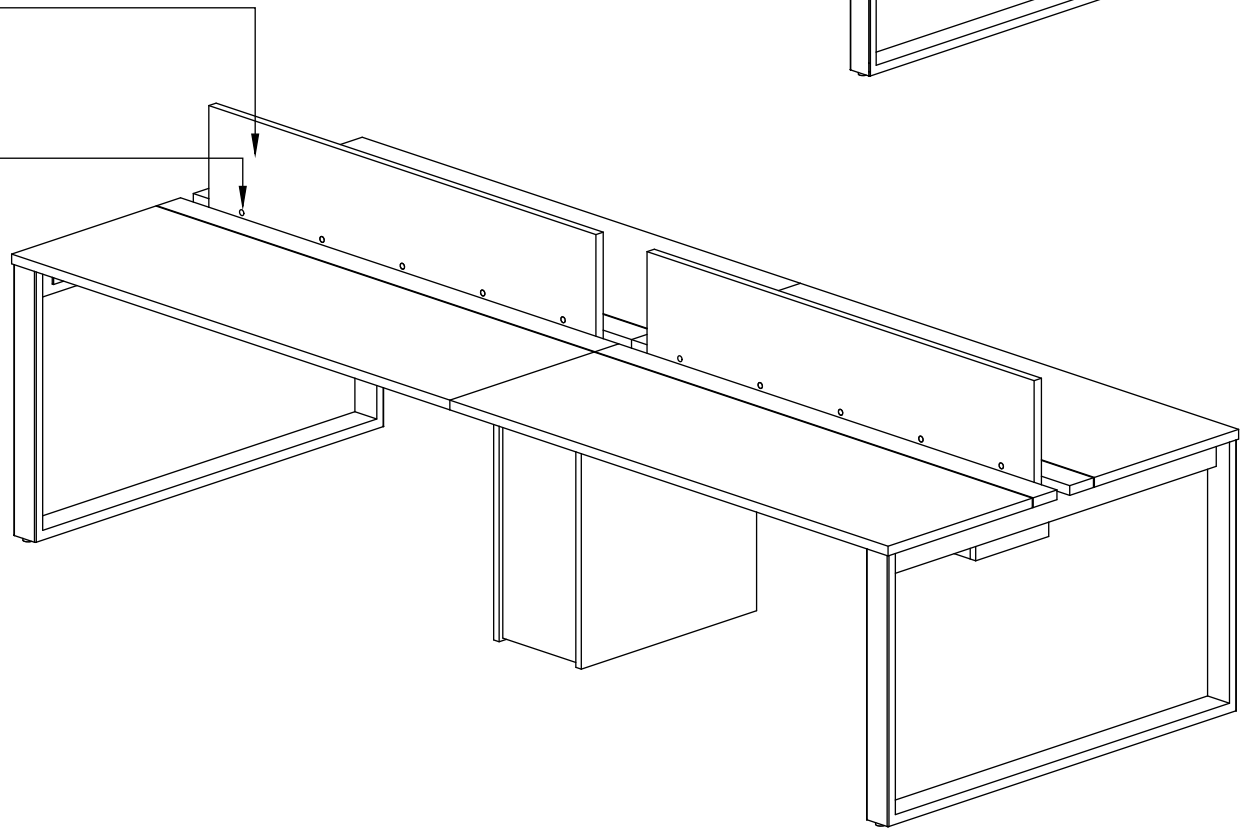
BOTTOM VIEW

APEX INSTRUCTIONS

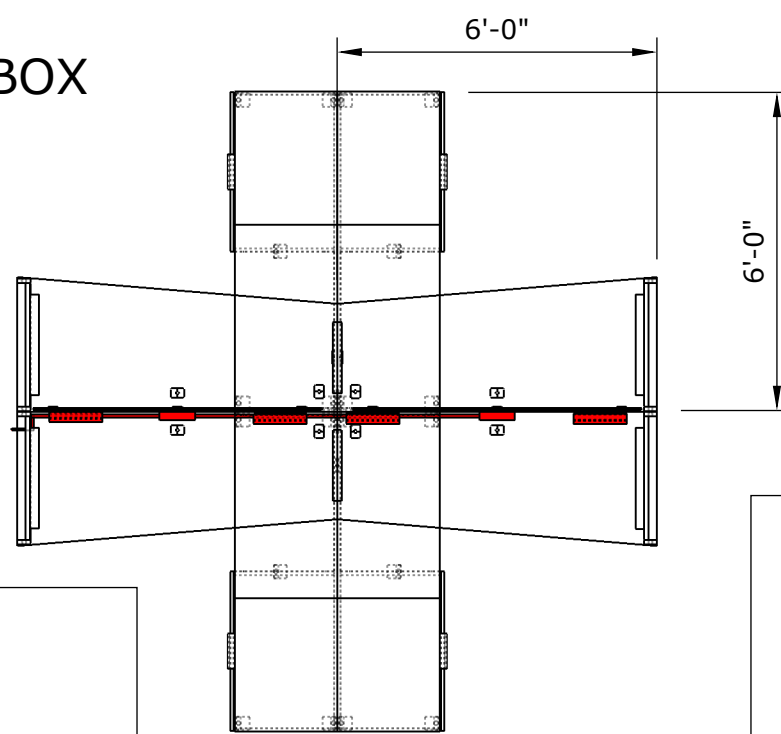
STEP 5: INSTALL PRIVACY SCREENS (ORDER SEPARATELY).



• **APPSUW**____
TFM PRIVACY SCREEN
INSTALL WITH PIN &
CAM LOCKS PROVIDED



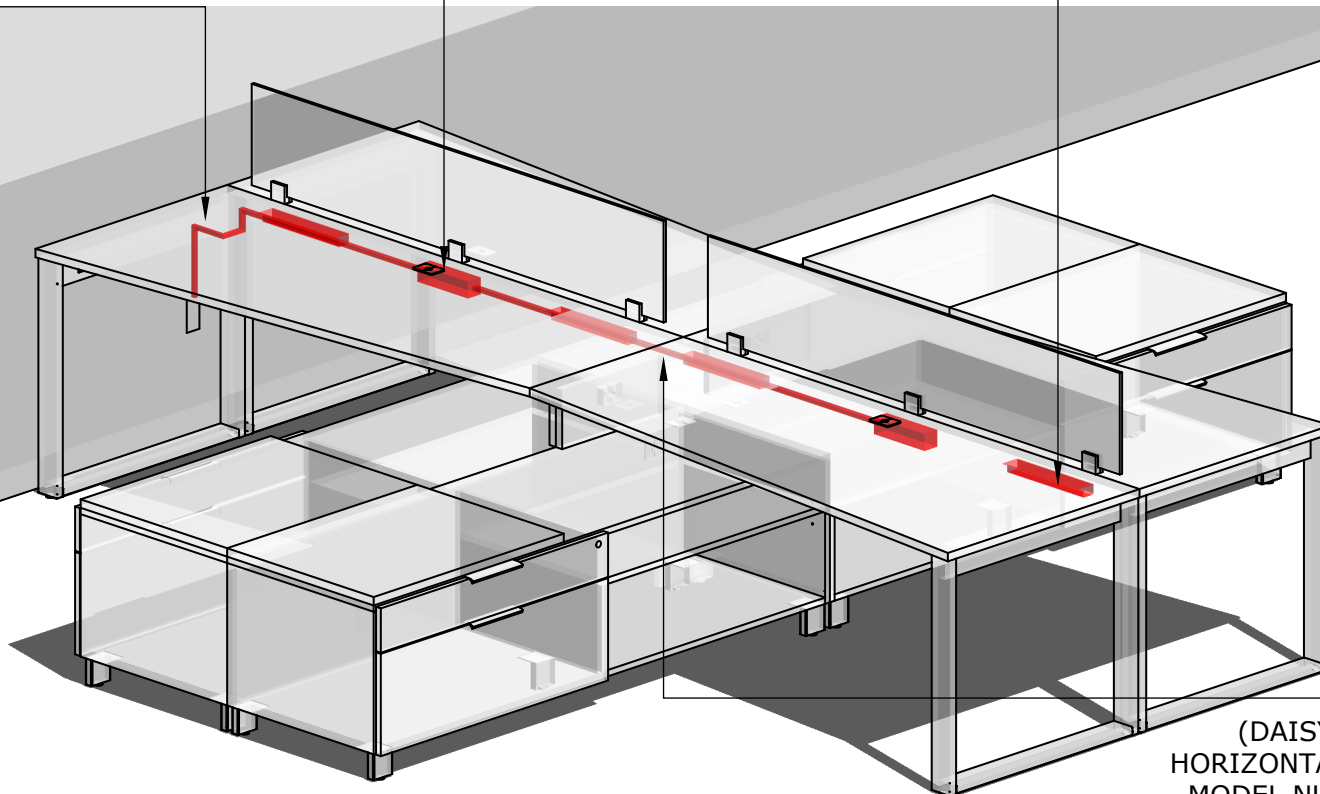
DOUBLE SIDED POWER BOX



APSSPB8
(DOUBLE SIDED POWER BOX,
8-POWER OUTLETS)

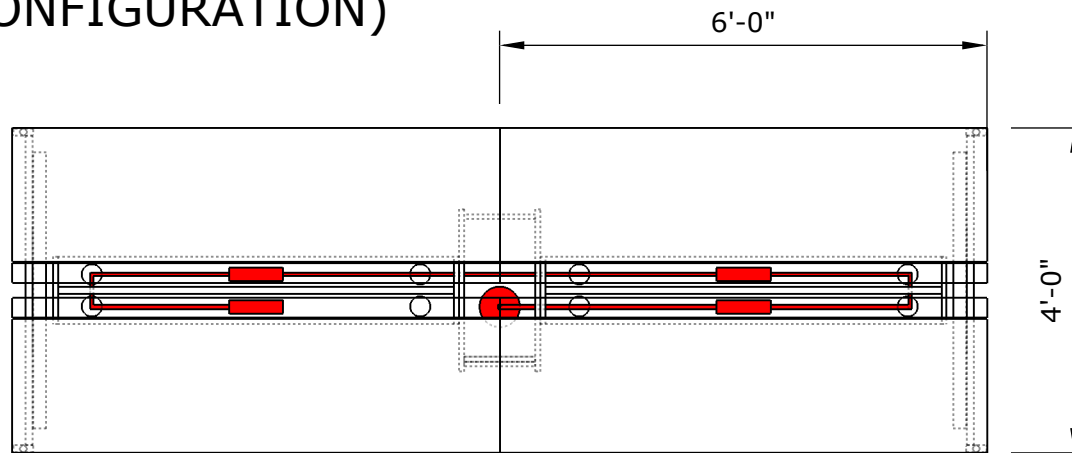
• **APPWM18**
(PLASTIC WIRE
MANAGEMENT)

APESC72
(ELECTRICAL STARTER CABLE.
MUST BE CONNECTED TO
BUILDINGS POWER SUPPLY
BY CERTIFIED ELECTRICIAN)



• **APDCE72**
(DAISY CHAIN CABLE SPANNING
HORIZONTALLY ACROSS WORKSURFACES.
MODEL NUMBER SHOULD MATCH TABLE
WIDTH)

SINGLE SIDED POWER BOX (FLOOR FEED CONFIGURATION)



APSSPB4
(SINGLE SIDED POWER BOX,
4-POWER OUTLETS)

• **APDCE72**
(DAISY CHAIN CABLE SPANNING
HORIZONTALLY ACROSS WORKSURFACES.
MODEL NUMBER SHOULD MATCH TABLE
WIDTH)

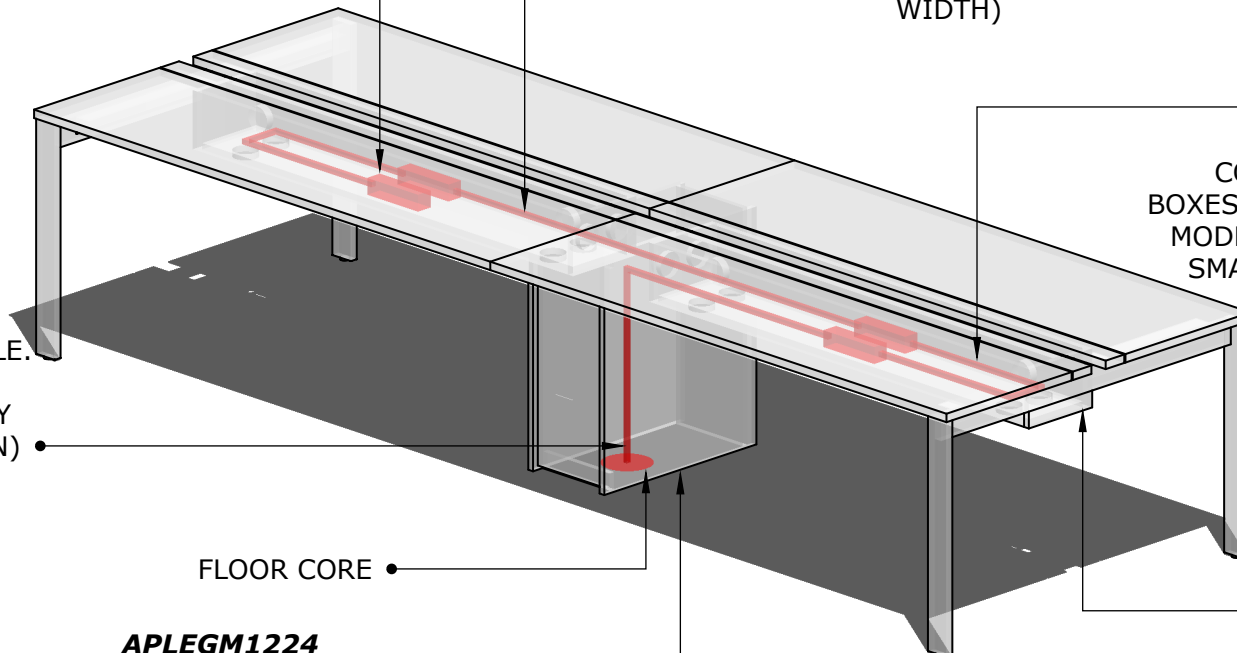
• **APDCE60**
(DAISY CHAIN CABLE
CONNECTING TWO POWER
BOXES WITHIN THE SAME TROUGH.
MODEL NUMBER SHOULD BE 12"
SMALLER THAN TABLE WIDTH)

APESC72
(ELECTRICAL STARTER CABLE.
MUST BE CONNECTED TO
BUILDINGS POWER SUPPLY
BY CERTIFIED ELECTRICIAN)

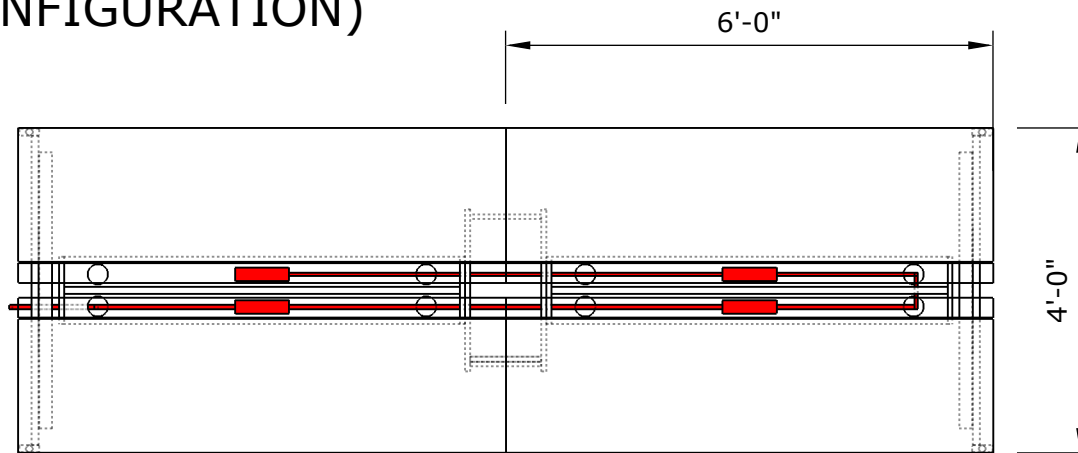
FLOOR CORE

APLEGM1224
(HOLLOW BASE W/ END ACCESS DOOR)

• **APWMT072**
(OUTER WIRE MANAGEMENT
TROUGH)



SINGLE SIDED POWER BOX (WALL FEED CONFIGURATION)



APSSPB4

(SINGLE SIDED POWER BOX,
4-POWER OUTLETS)

APESC72

(ELECTRICAL STARTER CABLE.
MUST BE CONNECTED TO
BUILDINGS POWER SUPPLY
BY CERTIFIED ELECTRICIAN)

WALL FEED

APDCE60

(DAISY CHAIN CABLE
CONNECTING TWO POWER
BOXES WITHIN THE SAME TROUGH.
MODEL NUMBER SHOULD BE 12"
SMALLER THAN TABLE WIDTH)

APDCE72

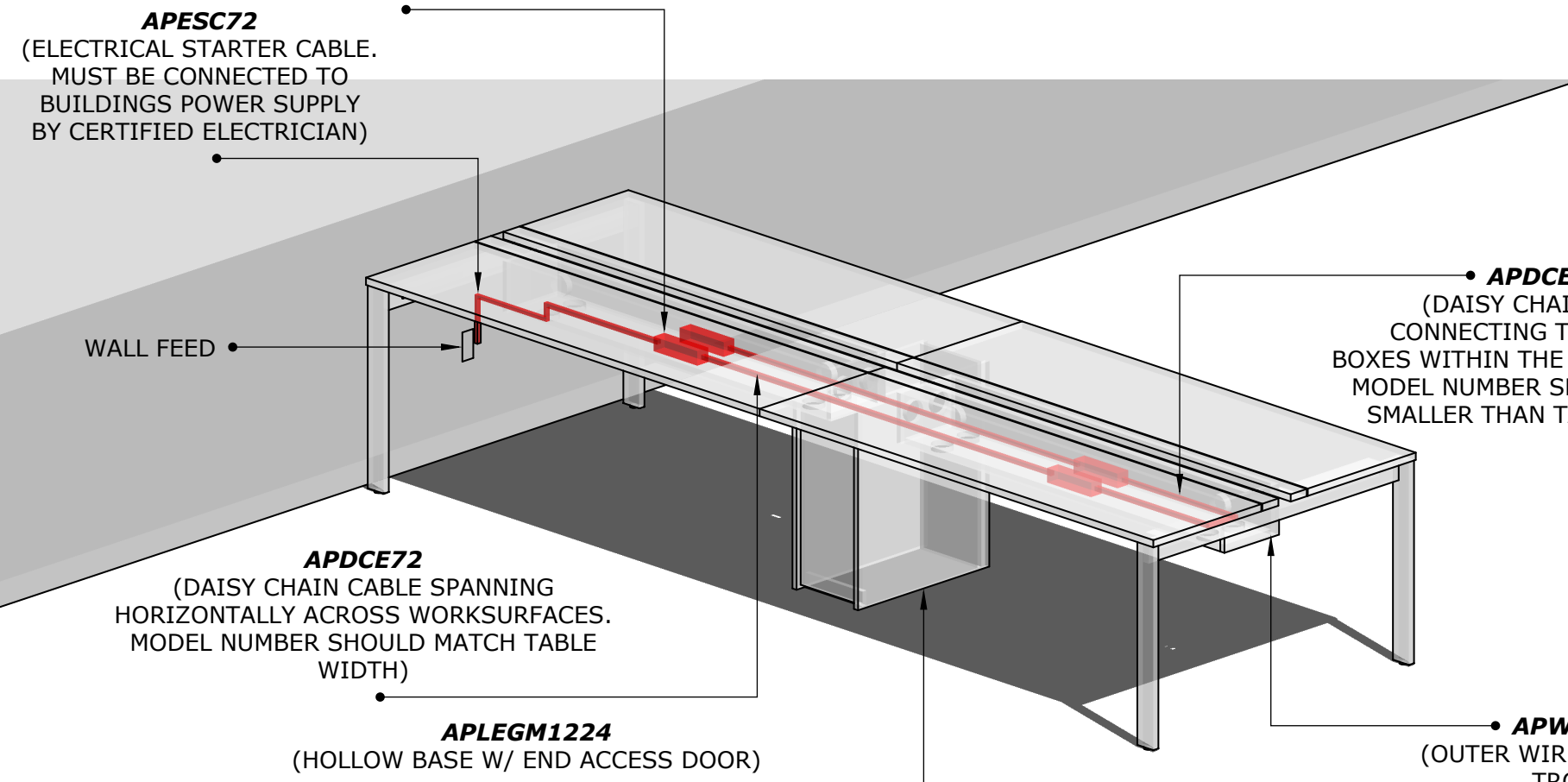
(DAISY CHAIN CABLE SPANNING
HORIZONTALLY ACROSS WORKSURFACES.
MODEL NUMBER SHOULD MATCH TABLE
WIDTH)

APLEGM1224

(HOLLOW BASE W/ END ACCESS DOOR)

APWMT072

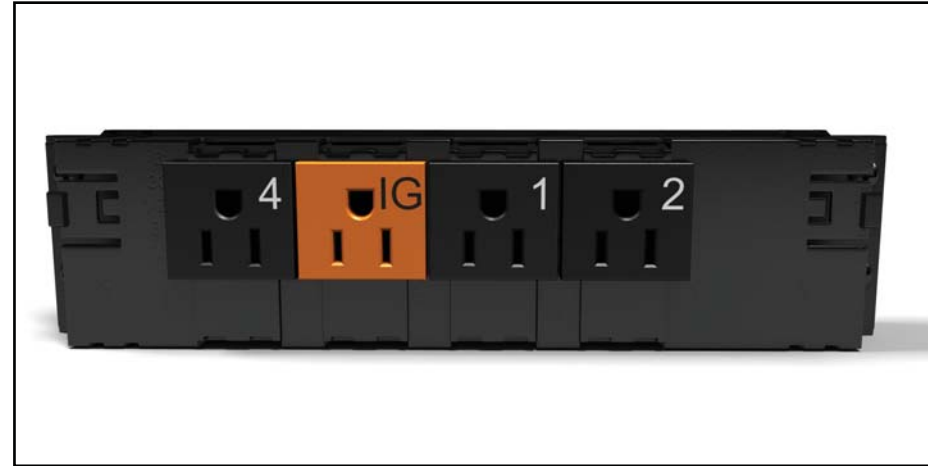
(OUTER WIRE MANAGEMENT
TROUGH)



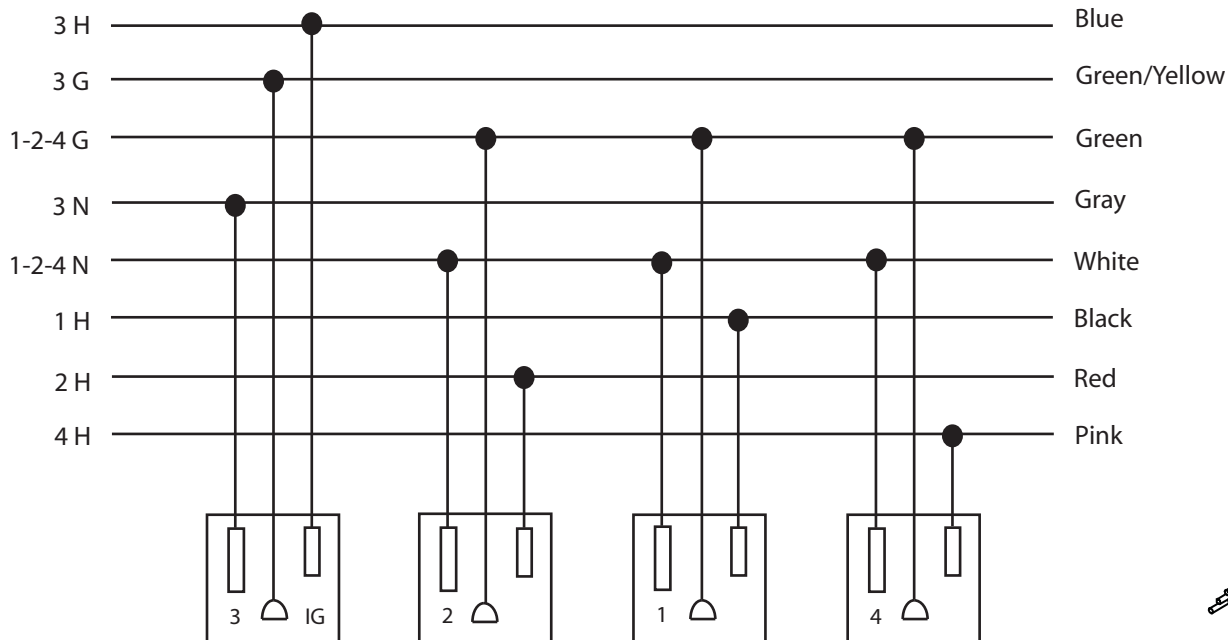
Electri-Pak - 8 Wire, 4 Circuit (3+1) Power Block

Specifications:

- Simplexes are interchangeable permitting any required circuit combination
- All simplexes located together for greater access to all power receptacles
- Single Sided or Double Sided Blocks Available
- Complies with National Electric Code
- UL Listed/Recognized



Electri-Pak 8 Wire, 4 Circuit Wiring Schematic



Electri-Pak Starter Cable

- 4 Circuit Hardwire Starter Cord
- All circuits rated for 20 AMP
- Available in lengths up to 220"
- Whip end to be connected to building power by an electrician

